

Customer Care

- Help Center
- How to Buy
- Shipping & Delivery
- International Product Policy
- How to Return
- Contact Us

Lazada

- All Categories
- About Lazada
- Affiliate Program
- Careers
- Terms & Conditions
- Privacy Policy
- Press & Media
- Security
- Popular Products
- Intellectual Property Protection

Go where your heart beats
Download the App

Payment Methods

Delivery Services



Verified by



Lazada Southeast Asia

Follow Us



© Lazada 2024



exclusive discounts!

Scan with mobile

Sold by
decodune1982

Chat

Seller Ratings	Ship On Time	Chat Response
100%	100%	Not enough data

GO TO STORE

Flexi Combo Buy 9, Get 20% off

VIEW ALL

99+ products

[HOT W] PRO BEROS 250pcs/
500pcs Copper Fishing Wire...
฿524.00
~~฿589.00~~ -10%
☆☆☆☆☆ (0)

[HOT W] Digital Tire Pressure
Gauge Air Compressor Inflatin...
฿572.00
~~฿633.00~~ -10%
☆☆☆☆☆ (0)

[HOT W] 200PSI Digital Tire
Pressure Gauge Manometer C...
฿427.00
~~฿472.00~~ -10%
☆☆☆☆☆ (0)

[HOT W] Car Motorcycle Air
Compressor Inflating Tube...
฿424.00
~~฿469.00~~ -10%
☆☆☆☆☆ (0)

[HOT W] Household Adult Child
Food Grade Plastic Mouthpiec...
฿838.00
~~฿929.00~~ -10%
☆☆☆☆☆ (0)



spring pipe polaroid hi-print st3 stand chopper onepiece pillow power bank yobao 20000 mah

Categories



- 118x78x24mm Abs Plastic Enclosure Electronics Portable Handheld Control Box Project Housing Case
- Model number: LK-HC01
- Inner size: 118x78x24mm
- Material:ABS plastic
- Waterproof rate: IP54
- Color: black with orange
- Advantage:
 1. Direct factory and leading manufacturer
 2. OEM/ODM service are acceptable
 3. Competitive price
 4. Strictly control and reliable quality
 5. Products can be made according to your requirement: such as drilling painting engraving silk-screen printing and etc.
 6. Your design is welcome the cost of mould can be free with higher quantity
 7. Timely pre-sale service and after-sales service
- What can we do
- Detail picture



เตียงออกมาอนโดยไม่ต้องติดตั้ง
เตียงสนามพับเก็บได้ ตยงนอนฟ...
฿383.00
★★★★★



กล้องวัดระยะ โปรรี่ ARTBULL
LS650 ส่งวันเดียวถึง รับประกัน1ปี
฿1,850.00
★★★★★



DAJA เลเซอร์เครื่องแกะสลัก
CNC D16แบบพกพาขนาดเล็ก...
฿4,790.00
★★★★★



รับประกัน 10 ปี เครื่องกดความ
ร้อน 5 in 1 มัลติฟังก์ชัน Swing...
฿4,379.00
★★★★★



Mileseeey 3-in-1 ดิจิตอลเลเซอร์
เทปวัด DT20/DT11/DT10 40m...
฿604.00
★★★★★



R5.0 For Aluminum
Tungsten Steel
Aluminum Ball
Cutter
Blade length 20 Shank diameter 10
Radius R5.0 Total length 100 100mm
The tool shown in the figure is only for dimensional description, and the specific
model is subject to the actual object received!
ปลายงมกลูมิเนียม 1-10 มม.
R0.5-R5 ฟากัดคาร์ไบด์ 2 ชุด...
฿109.00
★★★★★

10 Years Instrument Enclosure Manufacturing Experience



World Class
quality supplier

3000 Enterprises
preferred choice

Factory Direct
sales



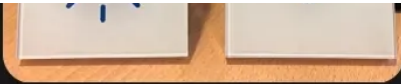
What can we do



CNC cutout holes



Silk-screen / La
ser engraving



Glass panel customization



Custom private mold



Shiny Enclosure



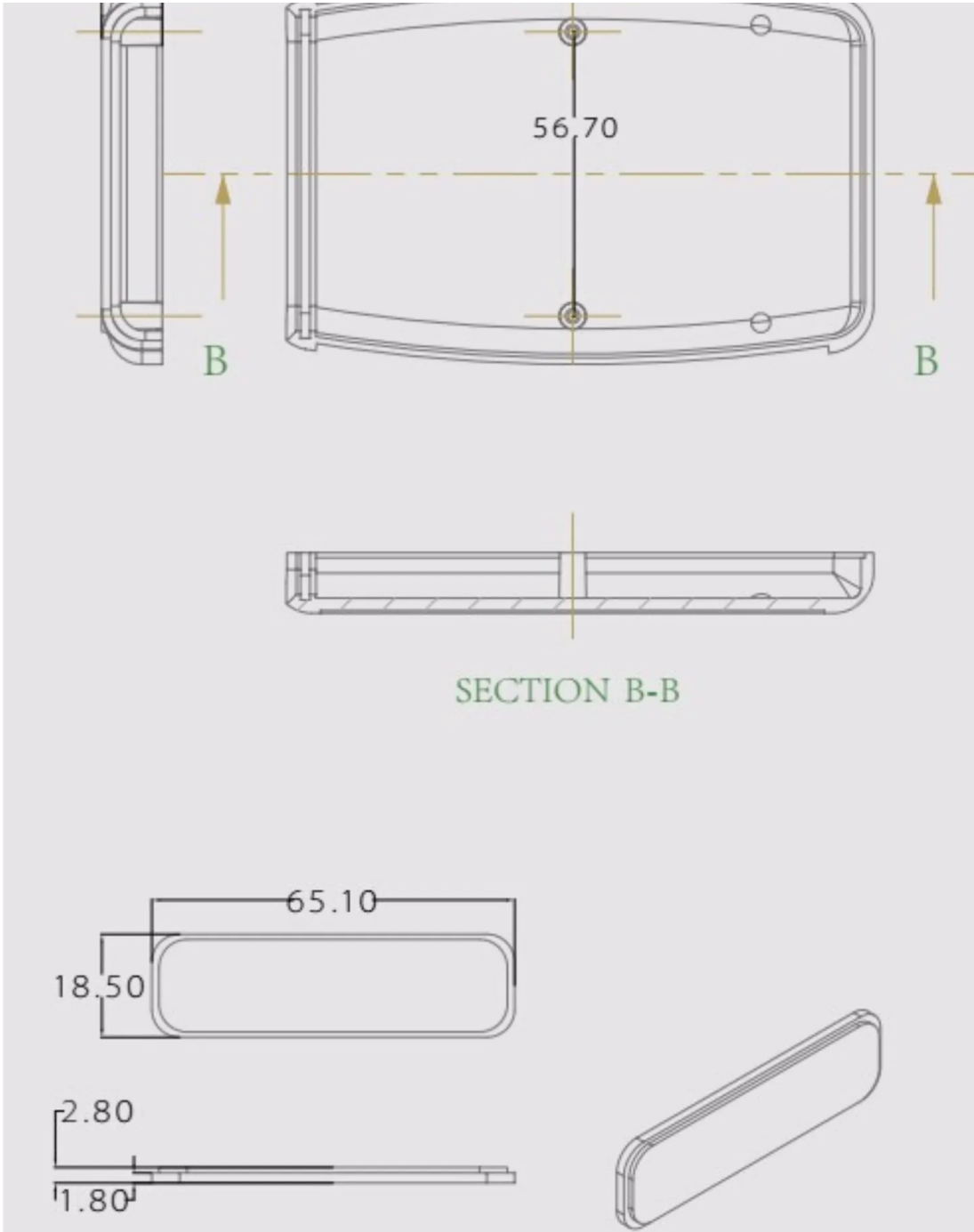
Model: LK-HC01
Weight: 73g
Size: 118*78*24mm



Shiny Enclosure







One-step solution for molding

plastic and aluminum enclosure

we can do Drill holes, silkscreen, sticker, change color, laser carve, acrylic plate, Brush oil, pvc lable, open mold, UV protection etc.



1

China factory custom moulding mold

Categories

LazMall



Specifications of [HOT W] 118x78x24mm Abs Plastic Enclosure Electronics Portable Handheld Control Box Project Housing Case

Brand	SKU
No Brand	4159654976_TH-16335220701
Model	Cable Type
0	Adapters
Warranty Type	
No Warranty	

What's in the box 118X78X24Mm พลาสติก Abs Enclosure Electronics แบบพกพา Handheld Control Box Project Housing Case

VIEW LESS

Ratings & Reviews of [HOT W] 118x78x24mm Abs Plastic Enclosure Electronics Portable Handheld Control Box Project Housing C...

0/5



0 Ratings

★★★★★	0
★★★★	0
★★★☆☆	0
★★★☆☆	0
★★★☆☆	0
★★★☆☆	0



This product has no reviews. Let others know what do you think and be the first to write a review.